

INOX-ABA

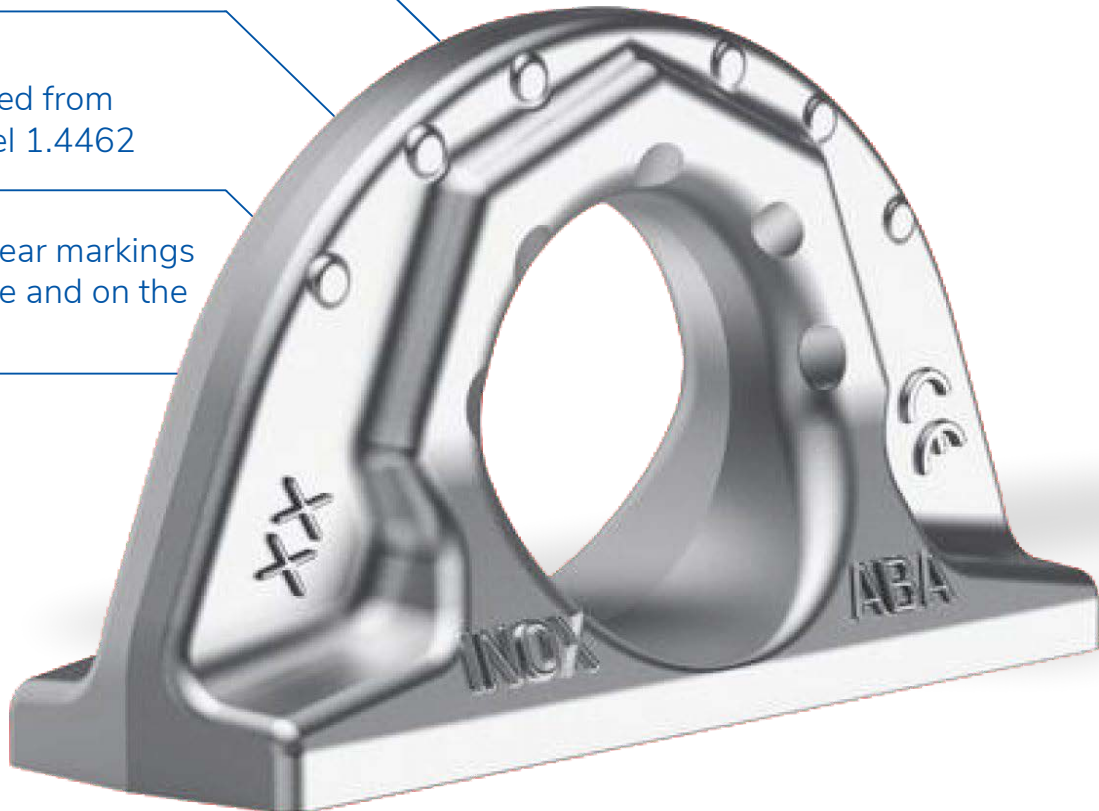
Stainless Steel Lifting Point for Welding



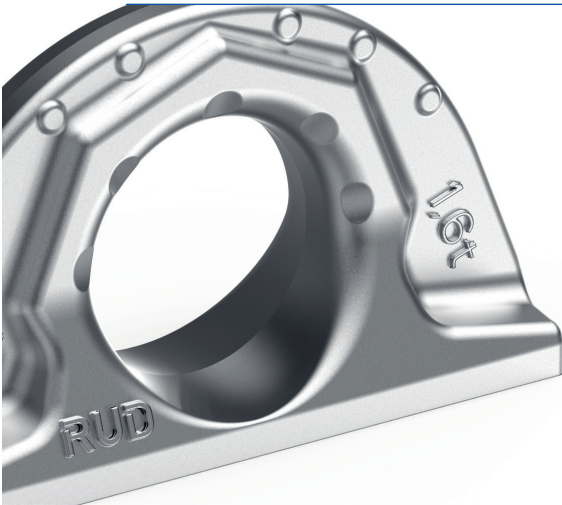
Full WLL in any direction
with 4:1 design factor

Manufactured from
Duplex Steel 1.4462

Patented wear markings
on the inside and on the
outside



Product features / INOX-ABA Lifting Point



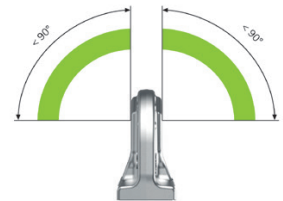
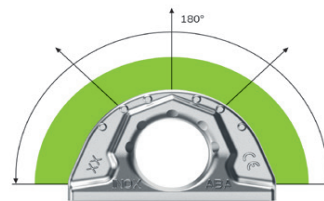
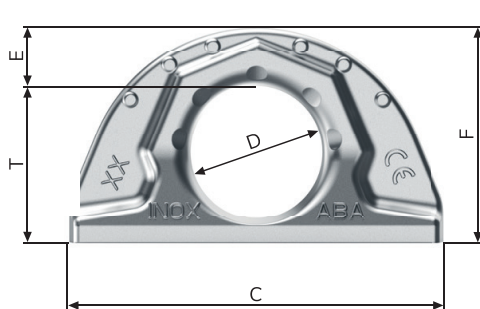
Forged from a single piece of Duplex Steel 1.4462

Duplex Steel is known for corrosion resistant properties against crevice corrosion and chloride pitting. It is also resistant to seawater, water vapour, nitric acid and sulphuric acid. It is also cost-effective due to its lower nickel content.

- ✓ Full WLL in any direction with 4:1 design factor
- ✓ Manufactured in Germany from Duplex Steel 1.4462
- ✓ Clear marking of the WLL
- ✓ Patented wear markings on the inside and outside
- ✓ Closed and circumferential fillet weld
- ✓ Temperature Range -40°C to 250°C no reduction in WLL

TYPE	WLL[t]	A	B	C	D	E	F	T	WEIGHT [kg]	Reference Number
INOX-ABA 0.8 t	0.8	22	12	70	32	12	50	38	0.2	7912396
INOX-ABA 1.6 t	1.6	30	16	100	35	16	57	41.5	0.45	7912397
INOX-ABA 2.7 t	2.7	41	23	137	50	21	80	59	1.1	7912398

Dimensions and specifications subject to change



Food industry



Petrochemicals



Shipbuilding

Distributed by

NOBLES



A TABMEA COMPANY