

Jordan 'Biggie' Steffens
Australia's most powerful man



**GAME
CHANGING.**



NOBLES
YOUR TRUSTED LIFTING
& RIGGING SPECIALISTS

THE NEW NOBLE10™
GRADE 100 CHAIN SYSTEM

Stronger and lighter without the premium price tag.
The NOBLE10™ range of chain slings have
changed the game forever.



STRONGER.
FASTER.
SMARTER.

NOBLE10™

NOBLE10™ Grade 100 chain and fittings are manufactured to Australian Standards and strenuously tested by industry's trusted lifting and rigging specialists, Nobles. NOBLE10™ delivers the ultimate high value, high quality lifting solution.

Whether you're in the construction, mining, manufacturing, heavy engineering or any other industry, there's a NOBLE10™ chain sling solution to meet your requirements.

STRONGER.

The NOBLE10™ range of chain slings delivers outstanding value, providing 25 per cent more lifting capacity than a Grade 80 chain sling, at a similar price. See working load limit chart opposite.

FASTER.

With 14 convenient locations across Australia and a team of 200+ people, Nobles supply and service geographically dispersed and highly demanding industries. Our state warehousing and production centres carry substantial stock, so you can trust that Nobles have what you need, when you need it. Our Customer Promise* guarantees it!

SMARTER.

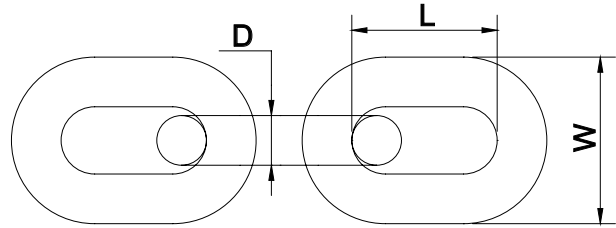
Extensively tested by Nobles' specialist lifting and rigging engineers, you can rest assured knowing that NOBLE10™ meets the highest safety and quality standards including Australian Standards AS3775, AS2321 and AS3776.

Please see our smart ordering guide on the back cover to speed up ordering and delivery of pre-specified and pre-made NOBLE10™ chain slings.

An Australian owned and operated company for over 100 years, Nobles provides complete solutions for lifting, rigging, service and engineering design.

*See www.nobles.com.au/promise for the full details on Nobles Customer Promise.

NOBLE10™ Grade 100 Chain




NOBLE10™ Grade 100 chain is manufactured to Australian Standard AS2321. Sourced from the highest quality material and rigorously tested, NOBLE10™ Grade 100 chain provides 25% more WLL size for size when compared with traditional Grade 80 chains.

Nobles Item No.	Chain Size (mm)	Weight per m (kg)	D (mm)	L (mm)	W (mm)	WLL (t)
34256	8	1.49	8.2	24	27.5	2.5
34257	10	2.31	10.2	30	34.5	4
34258	13	3.87	13.2	39	45	6.7
34259	16	5.72	16.2	48	55.5	10
34260	20	8.92	20.2	60	70	16
35155	22	11.7	22	66	81.4	19
35156	26	16.8	26	78	96.2	26.5
35175	32	23.2	32	96	118	40

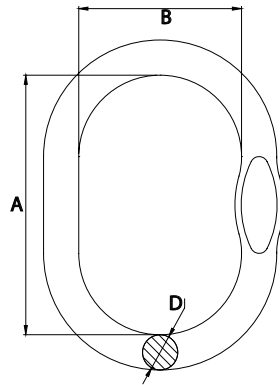
NOBLE10™ Working Load Limit Chart

GRADE 100 CHAIN SLINGS AS3775 - WLL (t)

 Chain Size (mm)	Single Leg Slings			2, 3 or 4 Leg Slings				Basket Leg Slings	
	Straight Sling	Adjustable Sling*	Choke Reeved Sling	Straight Sling			Choke Reeved Sling Max 60°	1 Leg Max 60°	2 Leg Max 60°
				60°	90°	120°			
8	2.5	2.5	1.9	4.3	3.5	2.5	3.3	3.3	5.6
10	4.0	4.0	3.0	6.9	5.6	4.0	5.2	5.2	9.0
13	6.7	6.7	5.0	11.6	9.4	6.7	8.7	8.7	15.1
16	10.0	10.0	7.5	17.3	14.1	10.0	13.0	13.0	22.5
20	16.0	16.0	12.0	27.7	22.6	16.0	20.8	20.8	36.0
22	19.0	19.0	14.3	32.9	26.8	19.0	24.7	24.7	42.8
26	26.5	26.5	19.9	45.8	37.4	26.5	34.5	34.5	59.6
32	40.0	40.0	30.0	69.2	56.4	40.0	52.0	52.0	90.0

*NOBLE10™ shorteners are rated 100%

NOBLE10™ Enlarged Master Link

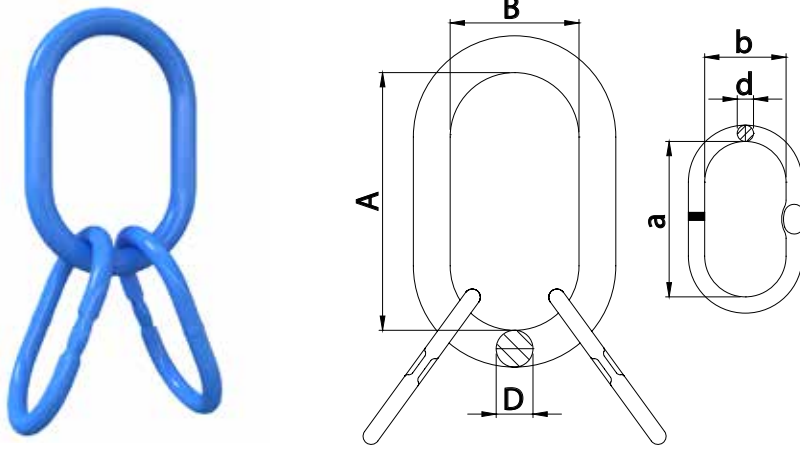


NOBLE10™ Grade 100 chain fittings are manufactured to Australian Standard AS3776. Sourced from the highest quality material and rigorously tested, the NOBLE10™ Grade 100 Master Link can be used for single leg or two leg chain slings (at lower diameter noted) using NOBLE10™ connecting links. The standard enlarged size accommodates larger crane hooks.

Nobles Item No.	Suits Chain Sizes (mm)	Weight (kg)	A (mm)	B (mm)	D (mm)	WLL (t)
34345	8-6	0.4	120	70	13	2.5
34346	10-8	0.7	140	80	17	4.3
34347	13-10	1.5	160	95	22	6.9
34348	16-13	2.5	180	100	27	11.6
34349	20-16	5.1	240	140	32	17.3
34350	22-20	7.2	250	150	38	27.7



NOBLE10™ Enlarged Multi-Master Link

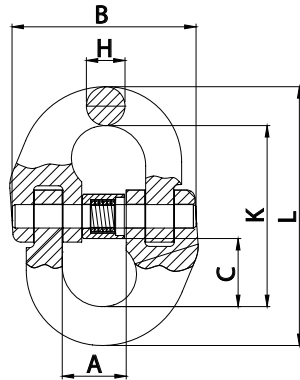


NOBLE10™ Grade 100 chain fittings are manufactured to Australian Standard AS3776. Sourced from the highest quality material and rigorously tested, the NOBLE10™ Grade 100 Multi-Master Link assembly is designed for two, three and four leg chain slings using NOBLE10™ connecting links. Each unit consists of a single master link and two intermediate links of the same lifting capacity. The standard enlarged size of the master link accommodates larger crane hooks.

Nobles Item No.	Suits Chain Size (mm)	Weight (kg)	A (mm)	B (mm)	D (mm)	a (mm)	b (mm)	d (mm)	WLL (t)
34352	8	3.0	160	95	22	140	80	18	4.3
34353	10	6.5	200	120	30	160	95	22	6.9
34354	13	12.75	250	150	40	190	110	26	11.6
34355	16	23.0	300	200	50	200	120	32	17.3



NOBLE10™ Connecting Link

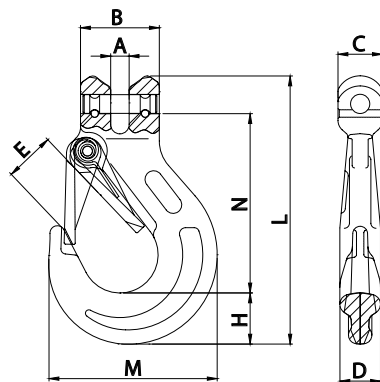


NOBLE10™ Grade 100 chain fittings are manufactured to Australian Standard AS3776. Sourced from the highest quality material and rigorously tested, the NOBLE10™ Grade 100 Connecting Link consists of two symmetrical, die-forged halves, joined with a pin and stud. You can use these links to connect master link and chain and chain and chain.

Note: This product is recommended to be used for straight pull only and must be assembled by a competent person.

Nobles Item No.	Suits Chain Size (mm)	Weight (kg)	H (mm)	A (mm)	B (mm)	C (mm)	K (mm)	L (mm)	WLL (t)
34320	8	0.18	10.0	18.5	53.0	25.0	63.0	84.0	2.5
34321	10	0.34	12.6	23.0	64.0	28.0	72.0	97.0	4.0
34322	13	0.68	16.5	28.0	81.0	37.0	93.0	126.0	6.7
34323	16	1.22	20.0	33.5	103.0	40.0	105.0	145.0	10.0
34324	20	2.13	25.0	42.0	119.5	46.0	125.0	175.0	16.0

NOBLE10™ Clevis Sling Safety Hook

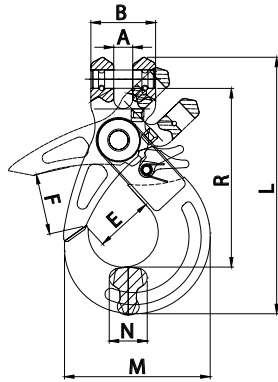


NOBLE10™ Grade 100 chain fittings are manufactured to Australian Standard AS3776. Sourced from the highest quality material and rigorously tested, the NOBLE10™ Grade 100 Clevis Sling Safety Hook eliminates the need for a connecting link as it connects directly to the chain. It is manufactured with a spring safety catch that locks into the tip of the hook, providing increased protection against lateral shifts.

Note: This product is recommended for straight pull only. Loads must not be placed on the tip of the hook or the safety catch.

Nobles Item No.	Suits Chain Size (mm)	Weight (kg)	A (mm)	B (mm)	C (mm)	D (mm)	E (mm)	H (mm)	M (mm)	N (mm)	L (mm)	WLL (t)
34326	8	0.7	9.5	37.0	23.0	19.0	25.0	27.5	88.0	88.5	134.0	2.5
34327	10	1.3	12.0	48.0	29.5	26.0	28.0	33.5	105.5	105.0	161.5	4.0
34328	13	2.3	15.0	59.0	37.0	34.0	38.0	42.0	134.0	132.0	203.0	6.7
34329	16	3.6	18.5	70.0	46.0	40.0	44.0	50.0	160.5	161.0	248.0	10.0
34330	20	7.0	25.0	85.0	52.0	48.0	52.0	56.0	190.5	197.0	297.0	16.0

NOBLE10™ Clevis Self-Locking Hook

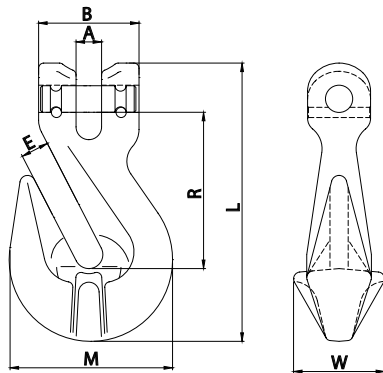


NOBLE10™ Grade 100 chain fittings are manufactured to Australian Standard AS3776. Sourced from the highest quality material and rigorously tested, the NOBLE10™ Grade 100 Self-Locking Hook closes and locks automatically and cannot open when under load. The clevis connection removes the need for a connecting link as the hook will connect directly to the chain.

Note: This product is recommended for straight pull only. The tip of the hook and the safety catch must not be placed under load.

Nobles Item No.	Suits Chain Size (mm)	Weight (kg)	A (mm)	B (mm)	E (mm)	F (mm)	R (mm)	M (mm)	N (mm)	L (mm)	WLL (t)
34332	8	0.9	9.5	36.0	36.0	40.0	121.0	90.0	20.0	163.0	2.5
34333	10	1.6	12.0	46.0	45.0	50.0	144.0	109.0	26.0	196.5	4.0
34334	13	2.9	15.0	59.0	53.5	66.0	182.0	138.5	32.5	251.0	6.7
34335	16	5.8	18.5	70.0	61.0	75.0	220.0	170.5	38.0	303.0	10.0
34336	20	8.6	25.0	85.0	76.5	80.0	235.0	192.5	50.0	337.0	16.0

NOBLE10™ Clevis Grab Shortening Hook



NOBLE10™ Grade 100 chain fittings are manufactured to Australian Standard AS3776. Sourced from the highest quality material and rigorously tested, the NOBLE10™ Grade 100 Grab Shortening Hook features a cradle design where, even when shortened, the load capacity is not reduced. The grab hook has a clevis connection so a connecting link is not needed as the hook will directly connect onto the chain.

Note: This product is not suitable for tip loading.

Nobles Item No.	Suits Chain Size (mm)	Weight (kg)	A (mm)	B (mm)	E (mm)	M (mm)	W (mm)	R (mm)	L (mm)	WLL (t)
34339	8	0.34	9.8	36.0	11.0	54.0	33.5	53.0	93.0	2.5
34340	10	0.82	12.5	46.0	13.5	72.0	42.0	73.0	128.0	4.0
34341	13	1.75	15.0	59.0	15.0	96.0	53.5	92.0	166.0	6.7
34342	16	2.88	18.5	70.0	19.0	116.0	74.0	99.0	189.0	10.0
34343	20	4.84	24.0	85.0	24.0	143.0	85.0	123.0	224.0	16.0

NOBLE10™ Smart Ordering Guide

NOBLE10™ Grade 100 Chain Slings meet Australian Standards AS3775. Simply quote the five digit Nobles item number in the table below for a fast quote/order. Item numbers in bold are available as pre-assembled slings for even faster turnaround time. Other sizes and configurations (e.g. with sling safety hooks) available upon request.



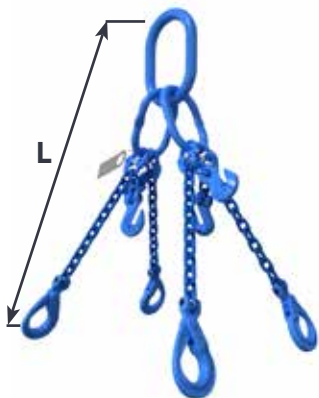
NOBLE10™ 1 leg Chain Sling, Enlarged Master Link, Clevis Grab Hook & Clevis Self-Locking Hook

L / D	8mm	10mm	13mm	16mm	20-32mm
1m	34859	34871	*	*	*
2m	34829	34831	34884	34916	*
3m	34860	34872	34833	*	*
4m	34830	34832	34885	34901	*
5m	*	*	34886	*	*
6m	*	34873	34834	34902	*
8m	*	*	34887	34903	*



NOBLE10™ 2 leg Chain Sling, Enlarged Master Link, Clevis Grab Hooks & Clevis Self-Locking Hooks

L / D	8mm	10mm	13mm	16mm	20-32mm
1m	34861	*	*	*	*
2m	34835	34837	34888	34917	*
3m	34862	34874	34840	*	*
4m	34836	34838	34889	34904	*
5m	34863	34875	34890	*	*
6m	34864	34839	34841	34905	*
8m	*	34876	34891	34906	*
9m	*	*	34892	34907	*
10m	*	*	34893	34908	*



NOBLE10™ 4 leg Chain Sling, Enlarged Multi-Master Link, Clevis Grab Hooks & Clevis Self-Locking Hooks

L / D	8mm	10mm	13mm	16mm	20-32mm
1m	34865	*	*	*	*
2m	34866	34877	34915	34918	*
3m	34867	34879	34894	*	*
4m	34868	34880	34895	34909	*
5m	34869	34881	34896	*	*
6m	34870	34882	34897	34910	*
8m	*	34883	34898	34911	*
9m	*	*	34899	34912	*
10m	*	*	34900	34913	*

L = Nominal Effective Length D = Chain Diameter * = Available Upon Request



NOBLES
YOUR TRUSTED LIFTING
& RIGGING SPECIALISTS

For more information on how NOBLE10™
was sourced, manufactured and tested head to
www.nobles.com.au/noble10

1300 711 559

sales@nobles.com.au